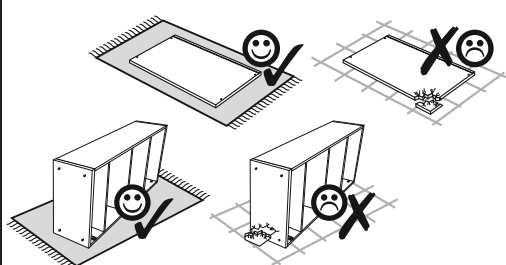
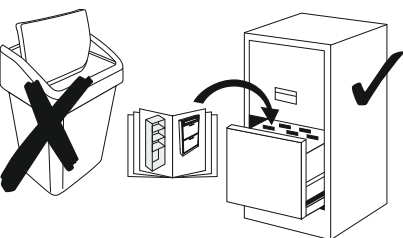
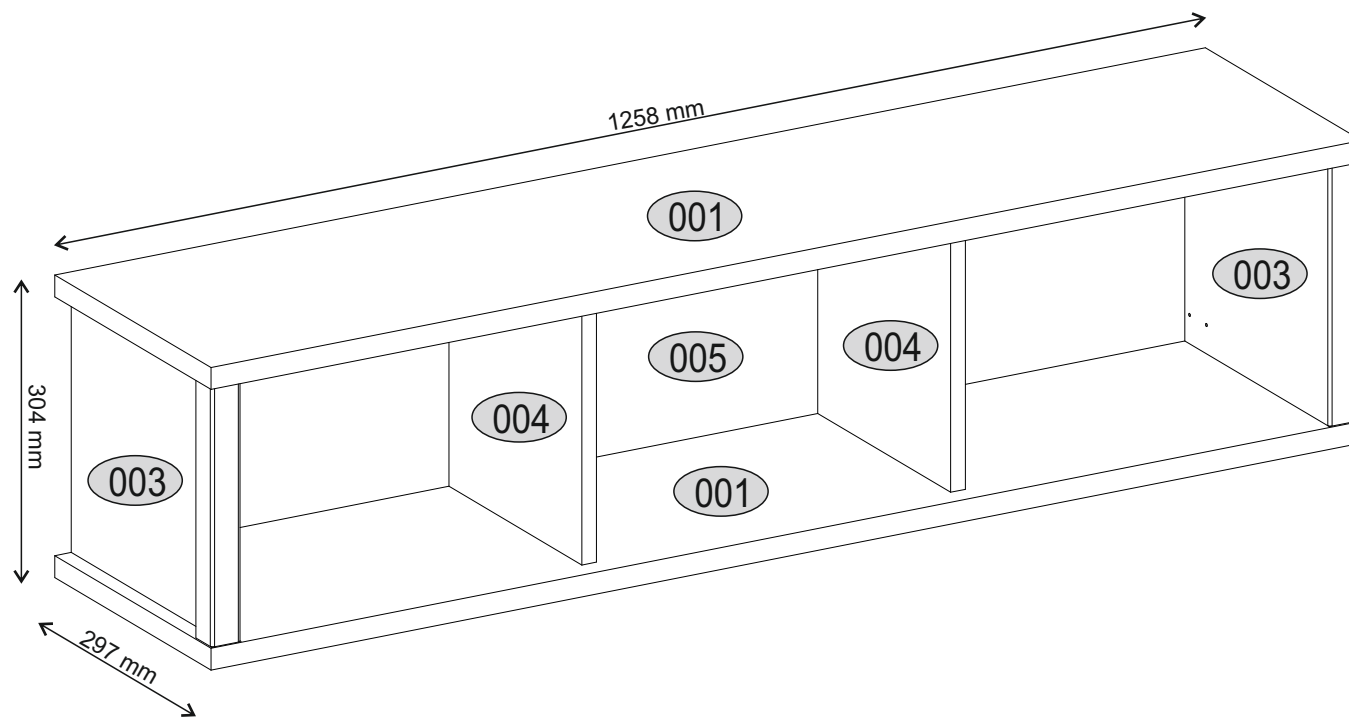
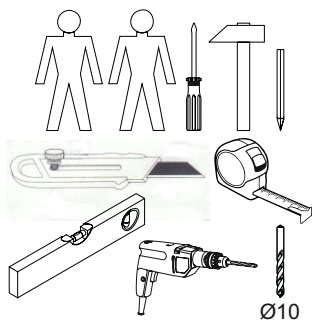
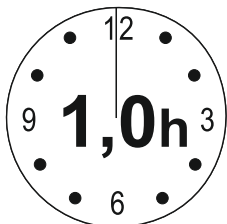













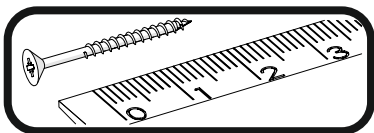
# Installation manual

## AYSON: regał otwarty wiszący 125

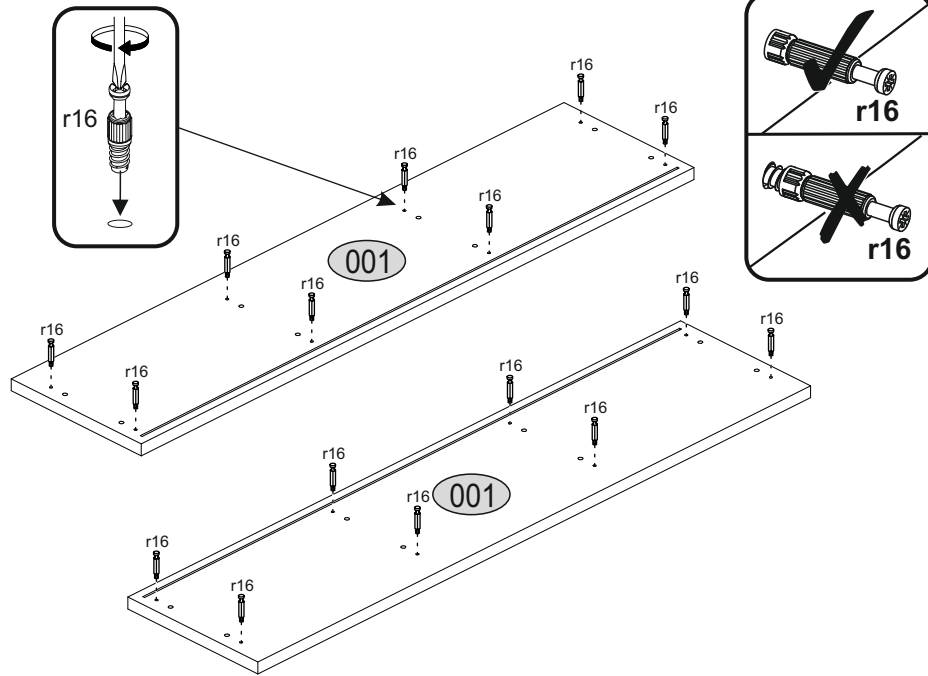


Code	Dimensions				Package
001	1258	297	22	2	1/1
003	260	293	16/32	2	1/1
004	260	251	16	2	1/1
005	279	1204	3	1	1/1
accessories				1	1/1

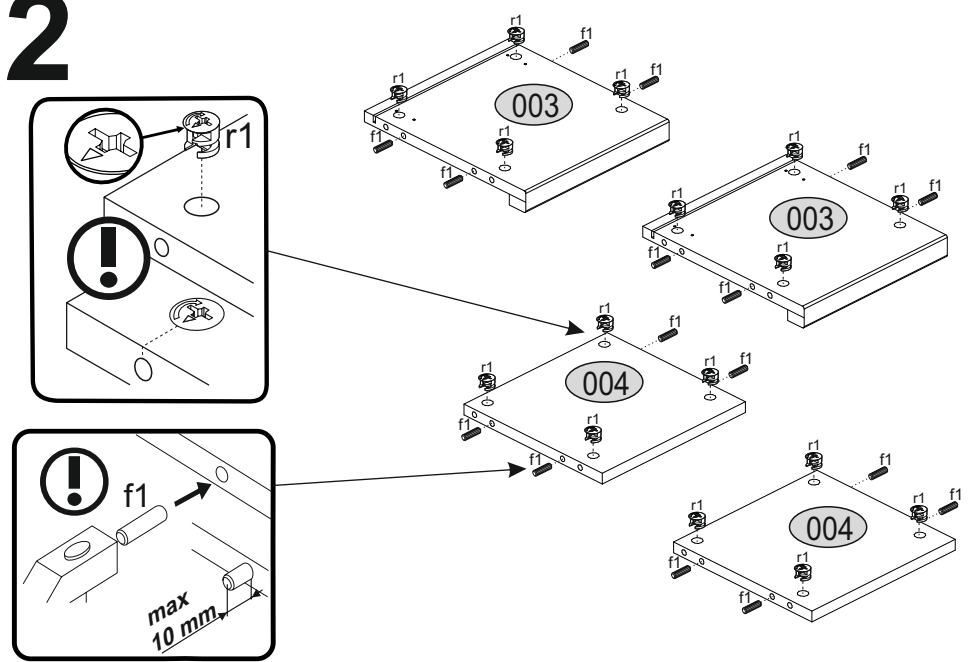
<p><b>x16</b> <b>r1</b></p> <p>Ø 15x12mm</p> 	<p><b>x16</b> <b>r16</b></p> 	<p><b>x14</b> <b>s2</b></p> 	<p><b>x16</b> <b>f1</b></p> <p>Ø 8x30mm</p> 
<p><b>x2</b> <b>n322</b></p> 	<p><b>x2</b> <b>p29</b></p> <p>Ø 6x60mm</p> 	<p><b>x4</b> <b>p21</b></p> <p>Ø 4x30mm</p> 	<p><b>x2</b> <b>f3</b></p> <p>Ø 10x50mm</p> 
<p><b>x1</b> <b>z1</b></p> 			



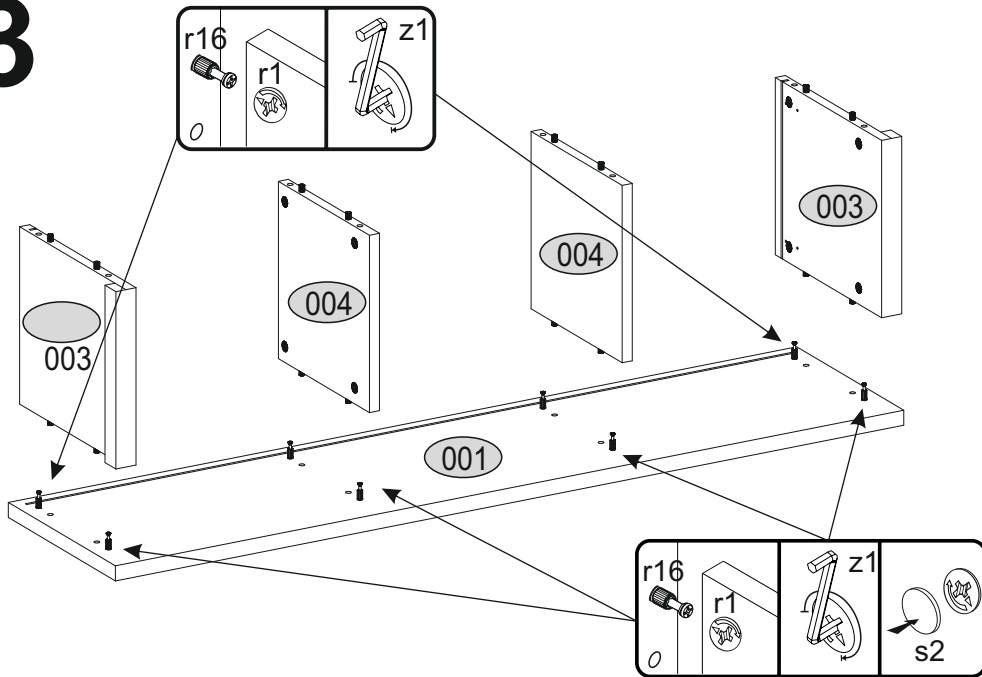
# 1



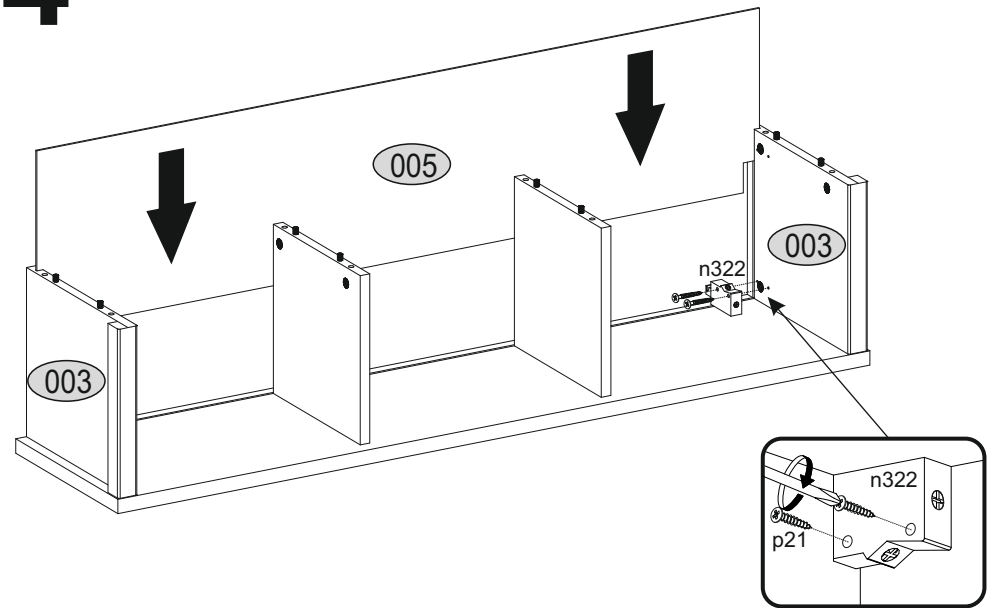
# 2



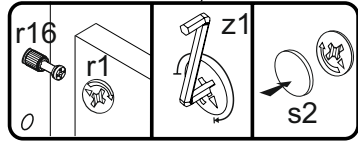
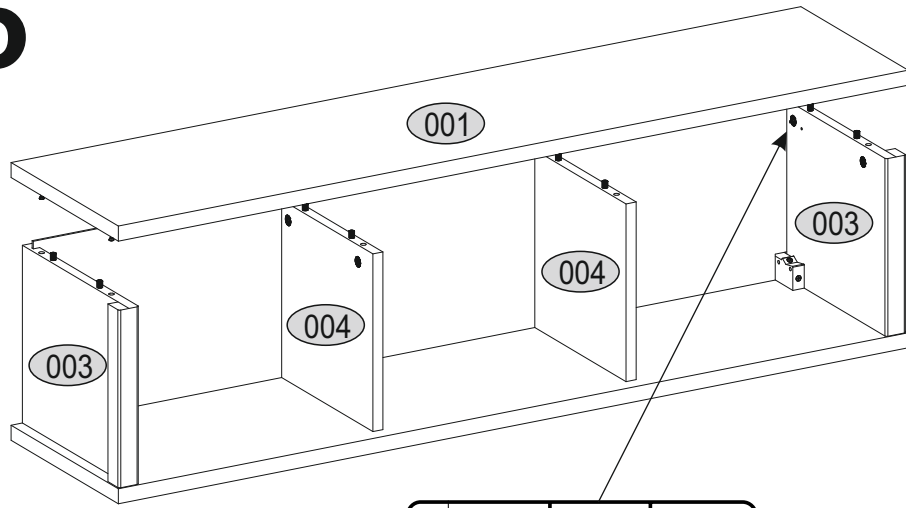
# 3



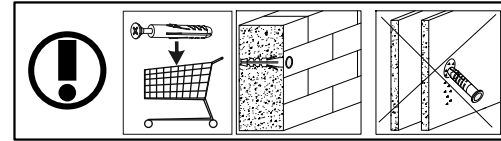
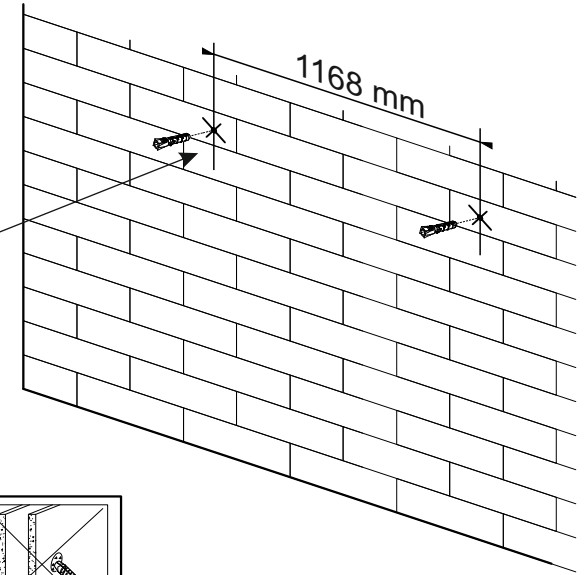
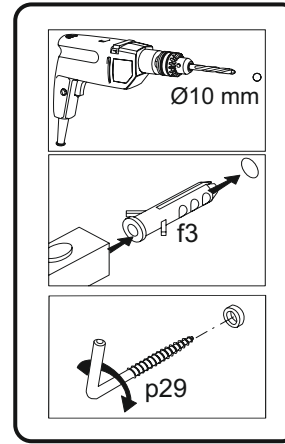
# 4



# 5



# 6



# 7

